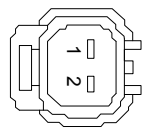
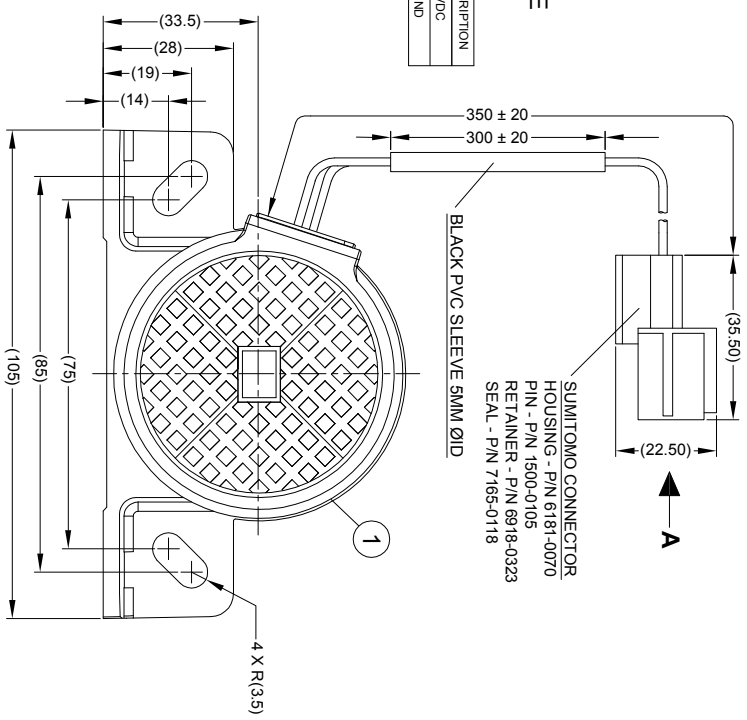


VIEW A



MATING FACE

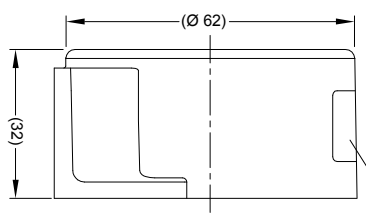
PIN #	WIRE COLOUR	DESCRIPTION
1	RED	12.24VDC
2	BLACK	GROUND



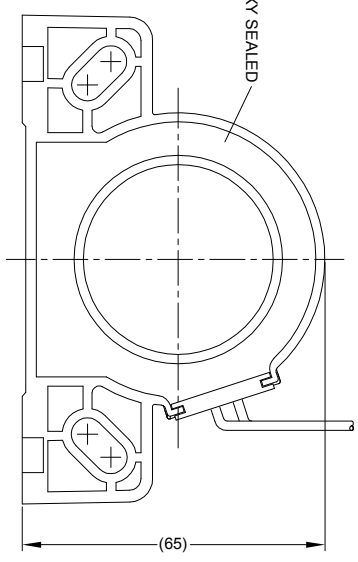
SUMITOMO CONNECTOR HOUSING - P/N 6181-0070
 P/N - P/N 1500-0105
 RETAINER - P/N 6918-0323
 SEAL - P/N 7165-0118

BLACK PVC SLEEVE 5MM ØID

ITEM	STOCK CODE	QTY	DESCRIPTION
1	(TBD)	1	BBS-97(SC) ALARM ONLY
2	(TBD)	1	FITTING INSTRUCTIONS (NOT SHOWN)



BASE PRODUCT LABEL LOCATION



- CHANGES FROM BASE PRODUCT BBS-97 (0935A) TO BBS-97(SC) (4377)**
- CHANGE:**
- 350mm OF 5mm ØID BLACK PVC SLEEVE ADDED TO CABLE.
 - SUMITOMO CONNECTOR ADDED.
 - REMOVE FITTING GUIDE LABEL (LOCATED ON THE END OF POWER WIRES).
 - MODIFIED PRODUCT LABEL ADDED REF LATEST REVISION OF DRW BE-002312-XX-13 & TEMPLATE BE-002314-XX-13.
 - REPLACEMENT GIFT BOX LABEL ADDED TO NEW GIFT BOX REF LATEST REVISION OF DRW BE-002313-XX-12 & TEMPLATE BE-002315-XX-13.
- OPERATION:** SAME AS BASE PRODUCT

SPECIFICATION:
 RATED VOL TAGE: 12.24VDC (WORKING VOLTAGE 9.32VDC).
 SOUND CURRENT: 0.2A OR LESS.
 SOUND PRESSURE: 97±4DECIBELS AT TEST VOLTAGE OF 14 AND 28 VOLTS.
 INTERMITTENCE: 80±10 CYCLES PER MINUTE AT TEST VOLTAGES 14 AND 28 VOLTS.
 OPERATING TEMPERATURE: -40° TO +85°.
 TONE: WHITE SOUND (lbs)
 ENVIRONMENTAL TEST: SUBJECT TO SAE J994.
 FINISH: MATT BLACK.
 MATERIAL: ABS PLASTIC.

NOTES:
 1. REFER TO BASE PRODUCT FOR PRODUCT SPECIFICATION.

PROPRIETARY NOTICE
 THIS DESIGN AND TECHNICAL INFORMATION APPEARING ON THIS DRAWING IS THE PROPERTY OF BRIGADE ELECTRONICS, AND IS DISCLOSED IN CONFIDENCE. IT IS NOT TO BE COPIED, REPRODUCED, REVEALED TO OR EXPLOITED BY OTHERS, EITHER IN WHOLE OR IN PART WITHOUT THE EXPRESS WRITTEN CONSENT OF BRIGADE ELECTRONICS.

Revision Notes:
 Checked By: - Approved By: - Date Released: -

Customer Approval
 T.MORRIS 08/02/13

Assembly Pl Approval
 NMETHA 06/02/13

Approved by
 S.MATTHEWS

Checked by
 RBATES

Drawn by
 B.CHILDS

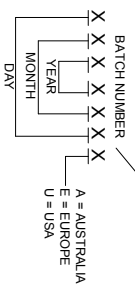
Status
 RELEASED

Part No
 4377

Scale
 N/A

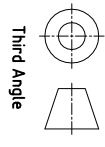
Released
 08/02/13

Assembly Ref



MODIFIED PRODUCT LABEL (BATCH NUMBER TO BE COPIED TO LABEL)

BRIGADE
 www.brigade-electronics.com



Angle of Projection

Third Angle

BBS-97(SC)
 BE-002153-00-12